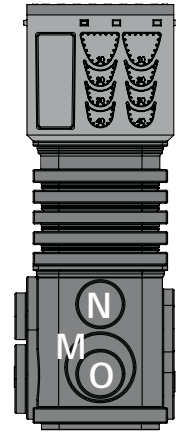
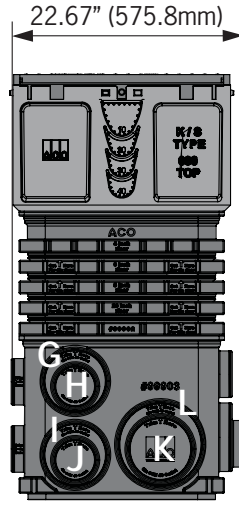
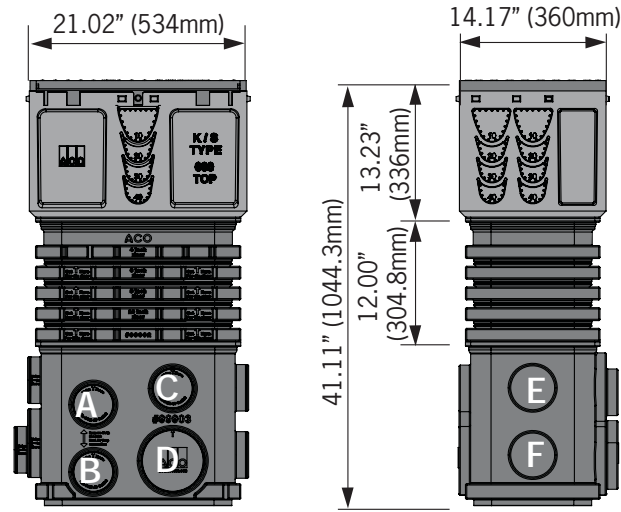
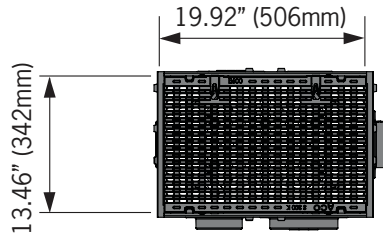


SK1-631D Catch Basin with longitudinal ductile iron grate



SK1-631D Catch Basin



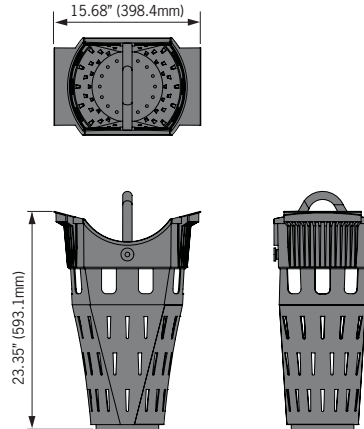
Outlet flow rates

Outlet	Product	Outlet size (Sch. 40)	Invert Depth	GPM	CFS
A	Type SK1-631D	4" round	33.29"	305	0.68
B	Type SK1-631D	4" round	39.79"	335	0.75
C	Type SK1-631D	4" round	31.72"	297	0.66
D	Type SK1-631D	6" round	39.79"	743	1.66
E	Type SK1-631D	4" round	31.84"	297	0.66
F	Type SK1-631D	4" round	38.34"	328	0.73
G	Type SK1-631D	6" round	32.62"	667	1.49
H	Type SK1-631D	4" round	32.07"	299	0.67
I	Type SK1-631D	6" round	39.76"	743	1.65
J	Type SK1-631D	4" round	39.19"	332	0.74
K	Type SK1-631D	6" round	39.19"	737	1.64
L	Type SK1-631D	8" round	39.76"	1302	2.90
M	Type SK1-631D	6" round	38.28"	728	1.62
N	Type SK1-631D	4" round	31.15"	294	0.65
O	Type SK1-631D	4" round	37.86"	326	0.73

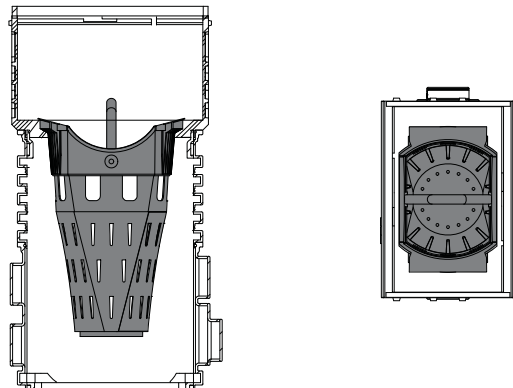
Note:

- These are the pipe flow rates at the specified outlet.
*Flow rates without trash bucket - using trash bucket or filter bag reduces flow rates.
- 4" diameter foul air trap, part# 90854, can be fitted to catch basin base at outlet positions A/B and E/F

Trash Bucket



Note: Openings in trash bucket are 74.4in² (48,028mm²)



Note: Trash bucket position within SK1-631D catch basin body and base

ACO Specification Information

ACO DRAIN

SK1-631D Catch Basin with longitudinal ductile iron grate



ACO Specification Information

Description	Part No.	Invert Depth		Weight lbs.
		inches	mm	
Type SK1-631D Catch basin assembly - top, removable "QuikLok" bar, riser, trash bucket & base	94854	40.86	1038	98.7
Catch Basin Components				
Foul air trap - fits both Type 900 & Type 600 basins	90854	-	-	1.2
QuickLok grate removal tool	01318	-	-	0.3

Specifications			
General	The catch basin shall be ACO Drain SK1-631D Catch Basin - comprising of top section, grate, riser, trash bucket and base as manufactured by ACO Polymer Products, Inc. or similar approved.	Water absorption	0.07%
Materials	The top unit body shall be manufactured from polyester polymer concrete with minimum properties as follows:	Frost proof	YES
Compressive strength:	14,000 psi	Salt proof	YES
Flexural strength:	4,000 psi	Dilute acid and alkali resistant	YES
		The nominal clear opening shall be 13.46" (342mm) wide by 19.92" (506mm) long. Overall length of 22.70" (575.8mm) by 15.38" (390.6mm) wide. Type SK1-631D catch basin assembly has overall depth of 41.11" (1044.3mm). Polymer concrete top units shall incorporate a cast in ductile iron frame manufactured with drillouts for channel connection and have a wall thickness of at least 0.59" (15mm). Top units shall have horizontal cast in anchoring key features on the outside to ensure maximum mechanical bond to the surrounding bedding material	
		and pavement surface. The base and riser unit shall be a LLDPE plastic molding and incorporate molded plastic pipe stubbs to facilitate pipe connection.	
		Grates	Grates are manufactured from longitudinal ductile iron. Ductile iron to ASTM 536-84 - Grade 65-45-12. After removal of grates there shall be uninterrupted access to the catch basin to aid maintenance.
		Installation	The trench drain/catch basin system shall be installed in accordance with the manufacturer's installation instructions and recommendations.

ACO Polymer Products, Inc.

Northeast Sales Office
 P.O. Box 245
 Chardon, OH 44024
 Tel: (440) 285-7000
 Toll free: (800) 543-4764
 Fax: (440) 285-7005

West Sales Office
 P.O. Box 12067
 Casa Grande, AZ 85130
 Tel: (520) 421-9988
 Toll Free: (888) 490-9552
 Fax: (520) 421-9899

Southeast Sales Office
 4211 Pleasant Road
 Fort Mill, SC 29708
 Toll free: (800) 543-4764
 Fax: (803) 802-1063



Follow us on
 info@ACODrain.us
 www.ACODrain.us



© April 9, 2013 ACO Polymer Products, Inc. This information is believed to be accurate but it is not guaranteed to be so. We cannot assume liability for results that buyer obtains with our product since conditions of use are beyond the control of the company. It is the customer's responsibility to evaluate suitability and safety of product for his own use. ACO Polymer Products Inc. reserves the right to change the product and specifications without notice.