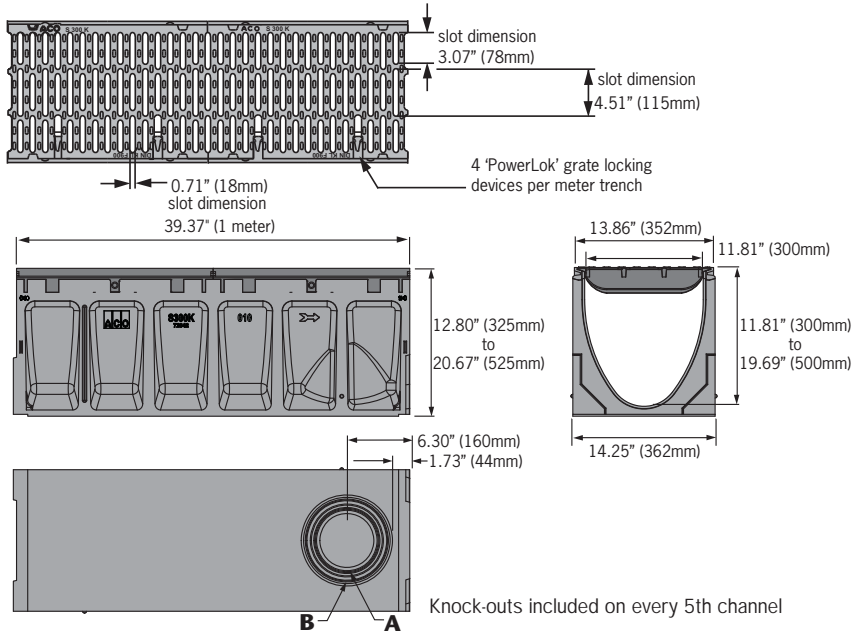
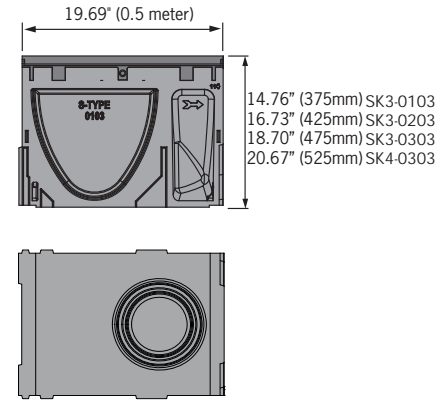


PowerDrain - S300K iron edged channel system with slotted grate

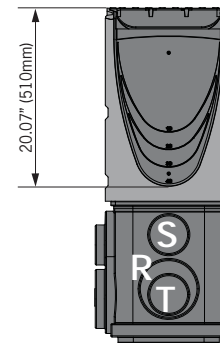
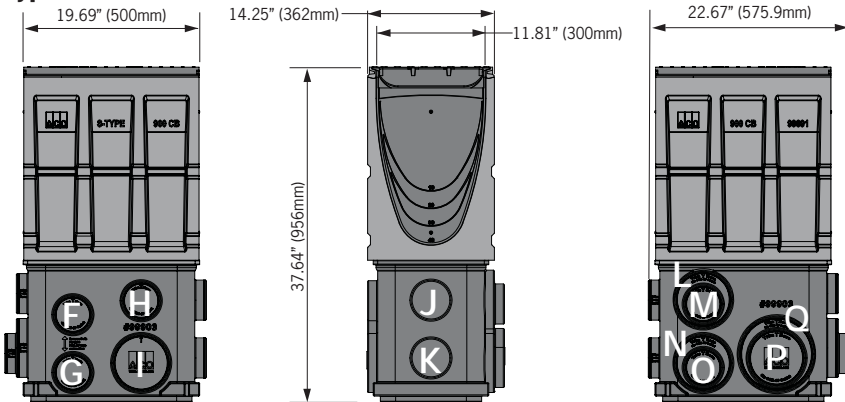
One meter channel



Half meter channel



Type 903D In-line catch basin



Total capacity = 15.59 gallons

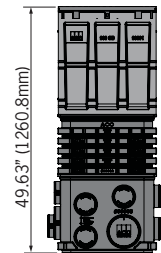
Outlet flow rates

Outlet	Product	Outlet size (Sch. 40)	Invert Depth	GPM	CFS
A	Bottom outlet - SK3-00	6" round	11.81"	421	0.94
A	Bottom outlet - SK3-040	6" round	19.69"	544	1.21
B	Bottom outlet - SK3-00	8" round	11.81"	748	1.67
B	Bottom outlet - SK3-040	8" round	19.69"	966	2.15
C	End outlet - SK3-00	6" round	11.81"	364	0.81
C	End outlet - SK3-40	6" round	19.69"	500	1.11
D	End outlet - SK3-10	8" round	13.78"	681	1.52
D	End outlet - SK3-40	8" round	19.69"	863	1.92
E	End outlet - SK3-20	10" round	15.75"	1116	2.49
E	End outlet - SK3-40	10" round	19.69"	1304	2.91
F	Type SK3-903D	4" round	29.80"	287	0.64
G	Type SK3-903D	4" round	36.29"	319	0.71
H	Type SK3-903D	4" round	28.22"	279	0.62
I	Type SK3-903D	6" round	36.29"	707	1.57
J	Type SK3-903D	4" round	28.37"	280	0.62
K	Type SK3-903D	4" round	34.87"	312	0.70
L	Type SK3-903D	6" round	29.15"	626	1.40
M	Type SK3-903D	4" round	28.59"	281	0.63
N	Type SK3-903D	6" round	36.28"	707	1.57
O	Type SK3-903D	4" round	35.72"	316	0.70
P	Type SK3-903D	6" round	35.72"	701	1.56
Q	Type SK3-903D	8" round	36.28"	1237	2.76
R	Type SK3-903D	6" round	34.78"	690	1.54
S	Type SK3-903D	4" round	27.65"	276	0.61
T	Type SK3-903D	4" round	34.36"	310	0.69

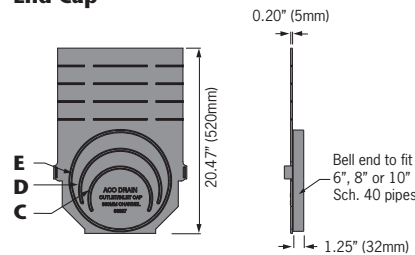
Note: These are the pipe flow rates at the specified outlet, NOT channel flow rates.* Catch basin flow rates are without trash bucket - using trash bucket reduces flow.

Type 904D In-line catch basin

- Notes:
- Riser can be cut down in 1" (25mm) increments.
 - Maximum capacity including riser 27.82 gallons.
 - Add 12" (300mm) to all heights if using riser.
 - Outlet flow rates will be higher due to increased depth - contact ACO Sales Office for more details.



End Cap



ACO Specification Information

ACO DRAIN

PowerDrain - S300K iron edged channel system with slotted grate



ACO Specification Information

Description	Part No.	Invert Inches ²	mm ²	Weight lbs.	Description	Part No.	Invert Inches ²	mm ²	Weight lbs.
SK3-00 Neutral channel - 39.37" (1m) [Ⓟ]	72041	11.81	300	230.2	SK3-28 Sloped channel - 39.37" (1m)	72028	17.32	440	263.4
SK3-1 Sloped channel - 39.37" (1m)	72001	12.01	305	230.2	SK3-29 Sloped channel - 39.37" (1m)	72029	17.52	445	264.7
SK3-2 Sloped channel - 39.37" (1m)	72002	12.20	310	231.4	SK3-30 Sloped channel - 39.37" (1m) [Ⓟ]	72030	17.72	450	265.9
SK3-3 Sloped channel - 39.37" (1m)	72003	12.40	315	232.7	SK3-030 Neutral channel - 39.37" (1m)[Ⓟ]	72046	17.72	450	265.9
SK3-4 Sloped channel - 39.37" (1m)	72004	12.60	320	233.9	SK3-0303 Neutral channel - 19.69" (0.5m)[Ⓟ]	72049	17.72	450	142.1
SK3-5 Sloped channel - 39.37" (1m) [Ⓟ]	72005	12.80	325	235.1	SK3-31 Sloped channel - 39.37" (1m)	72031	17.91	455	267.1
SK3-6 Sloped channel - 39.37" (1m)	72006	12.99	330	236.4	SK3-32 Sloped channel - 39.37" (1m)	72032	18.11	460	268.4
SK3-7 Sloped channel - 39.37" (1m)	72007	13.19	335	237.6	SK3-33 Sloped channel - 39.37" (1m)	72033	18.31	465	269.6
SK3-8 Sloped channel - 39.37" (1m)	72008	13.39	340	238.8	SK3-34 Sloped channel - 39.37" (1m)	72034	18.50	470	270.8
SK3-9 Sloped channel - 39.37" (1m)	72009	13.58	345	240.0	SK3-35 Sloped channel - 39.37" (1m) [Ⓟ]	72035	18.70	475	272.1
SK3-10 Sloped channel - 39.37" (1m) [Ⓟ]	72010	13.78	350	241.3	SK3-36 Sloped channel - 39.37" (1m)	72036	18.90	480	273.3
SK3-010 Neutral channel - 39.37" (1m)[Ⓟ]	72042	13.78	350	241.3	SK3-37 Sloped channel - 39.37" (1m)	72037	19.09	485	274.5
SK3-0103 Neutral channel - 19.69" (0.5m)[Ⓟ]	72045	13.78	350	127.9	SK3-38 Sloped channel - 39.37" (1m)	72038	19.29	490	275.7
SK3-11 Sloped channel - 39.37" (1m)	72011	13.98	355	242.5	SK3-39 Sloped channel - 39.37" (1m)	72039	19.49	495	277.0
SK3-12 Sloped channel - 39.37" (1m)	72012	14.17	360	243.7	SK3-40 Sloped channel - 39.37" (1m) [Ⓟ]	72040	19.69	500	278.2
SK3-13 Sloped channel - 39.37" (1m)	72013	14.37	365	245.0	SK3-040 Neutral channel - 39.37" (1m)[Ⓟ]	72048	19.69	500	278.2
SK3-14 Sloped channel - 39.37" (1m)	72014	14.57	370	246.2	SK3-0403 Neutral channel - 19.69" (0.5m)[Ⓟ]	72050	19.69	500	150.3
SK3-15 Sloped channel - 39.37" (1m) [Ⓟ]	72015	14.76	375	247.4	SK3-903D Inline catch basin - 19.69" (0.5m) [Ⓟ]	94622	37.40	950	151.4
SK3-16 Sloped channel - 39.37" (1m)	72016	14.96	380	248.7	SK3-904D Inline catch basin - 19.69" (0.5m) [Ⓟ]	94581	37.40	950	161.4
SK3-17 Sloped channel - 39.37" (1m)	72017	15.16	385	249.9	Series 600 Optional plastic riser	99902	-	-	10.0
SK3-18 Sloped channel - 39.37" (1m)	72018	15.35	390	251.1	Foul air trap - fits both 910 & 610 basins	90854	-	-	1.2
SK3-19 Sloped channel - 39.37" (1m)	72019	15.55	395	252.4	12" channel Universal end cap	96827	19.69	500	2.5
SK3-20 Sloped channel - 39.37" (1m) [Ⓟ]	72020	15.75	400	253.6	12" channel Installation device	97479	-	-	4.9
SK3-020 Neutral channel - 39.37" (1m)[Ⓟ]	72044	15.75	400	253.6	Grate removal tool	01318	-	-	0.3
SK3-0203 Neutral channel - 19.69" (0.5m)[Ⓟ]	72047	15.75	400	134.9					
SK3-21 Sloped channel - 39.37" (1m)	72021	15.94	405	254.8					
SK3-22 Sloped channel - 39.37" (1m)	72022	16.14	410	256.1					
SK3-23 Sloped channel - 39.37" (1m)	72023	16.34	415	257.3					
SK3-24 Sloped channel - 39.37" (1m)	72024	16.54	420	258.5					
SK3-25 Sloped channel - 39.37" (1m) [Ⓟ]	72025	16.73	425	259.7					
SK3-26 Sloped channel - 39.37" (1m)	72026	16.93	430	261.0					
SK3-27 Sloped channel - 39.37" (1m)	72027	17.13	435	262.2					

Notes:

- This channel offers bottom knockout feature: 6" & 8" round.
- Inverts shown are male end; for female invert depth subtract 5mm (≈0.2") from male invert (except neutral channels where it will be same as male invert). To calculate overall channel depth, add 25.4mm (1.0") to invert depth.
- Catch basin assembly includes polymer concrete top, PowerLok grate, trash bucket and plastic base.
- Catch basin assembly includes polymer concrete top, PowerLok grate, deep trash bucket, plastic riser and plastic base.
- Water intake per meter channel is 136.6 in² (881.29 cm²)

Specifications		Water absorption	0.07%	the manufacturer to ensure maximum homogeneity between polymer concrete body and edge rail. Each edge rail shall be at least 1/4" (6mm) thick.
General The surface drainage system shall be ACO Drain PowerDrain S300K complete with slotted gratings secured with 'PowerLok' locking as manufactured by ACO Polymer Products, Inc. or equal approved.		Frost proof	YES	Grates Grates come in slotted ductile iron. Ductile iron to ASTM 536-84 - Grade 65-45-12. After removal of gratings there shall be uninterrupted access to the trench to aid maintenance.
		Salt proof	YES	
		Dilute acid and alkali resistant	YES	
Materials The trench system bodies shall be manufactured from polymer concrete with minimum properties as follows:		The nominal clear opening shall be 12" (300mm) with overall width of 13.86" (352mm). Pre-cast units shall be manufactured with either an invert slope of 0.5% or with neutral invert and have a wall thickness of at least 0.67" (16mm). Each unit will feature a partial radius in the trench bottom and a male to female interconnecting end profile. Units shall have horizontal cast in anchoring keys on the outside wall to ensure maximum mechanical bond to the surrounding bedding material and pavement surface. The ductile iron edge rail will be integrally cast in by		Installation The trench drain system shall be installed in accordance with the manufacturer's installation instructions and recommendations.
	Compressive strength:	14,000 psi		
	Flexural strength:	4,000 psi		

ACO Polymer Products, Inc.

Northeast Sales Office
P.O. Box 245
Chardon, OH 44024
Tel: (440) 285-7000
Toll free: (800) 543-4764
Fax: (440) 285-7005

West Sales Office
P.O. Box 12067
Casa Grande, AZ 85130
Tel: (520) 421-9988
Toll Free: (888) 490-9552
Fax: (520) 421-9899

Southeast Sales Office
4211 Pleasant Road
Fort Mill, SC 29708
Toll free: (800) 543-4764
Fax: (803) 802-1063



Electronic Contact:
info@ACODrain.us
www.ACODrain.us



© April 10, 2013 ACO Polymer Products, Inc. This information is believed to be accurate but it is not guaranteed to be so. We cannot assume liability for results that buyer obtains with our product since conditions of use are beyond the control of the company. It is the customer's responsibility to evaluate suitability and safety of product for his own use. ACO Polymer Products Inc. reserves the right to change the product and specifications without notice.