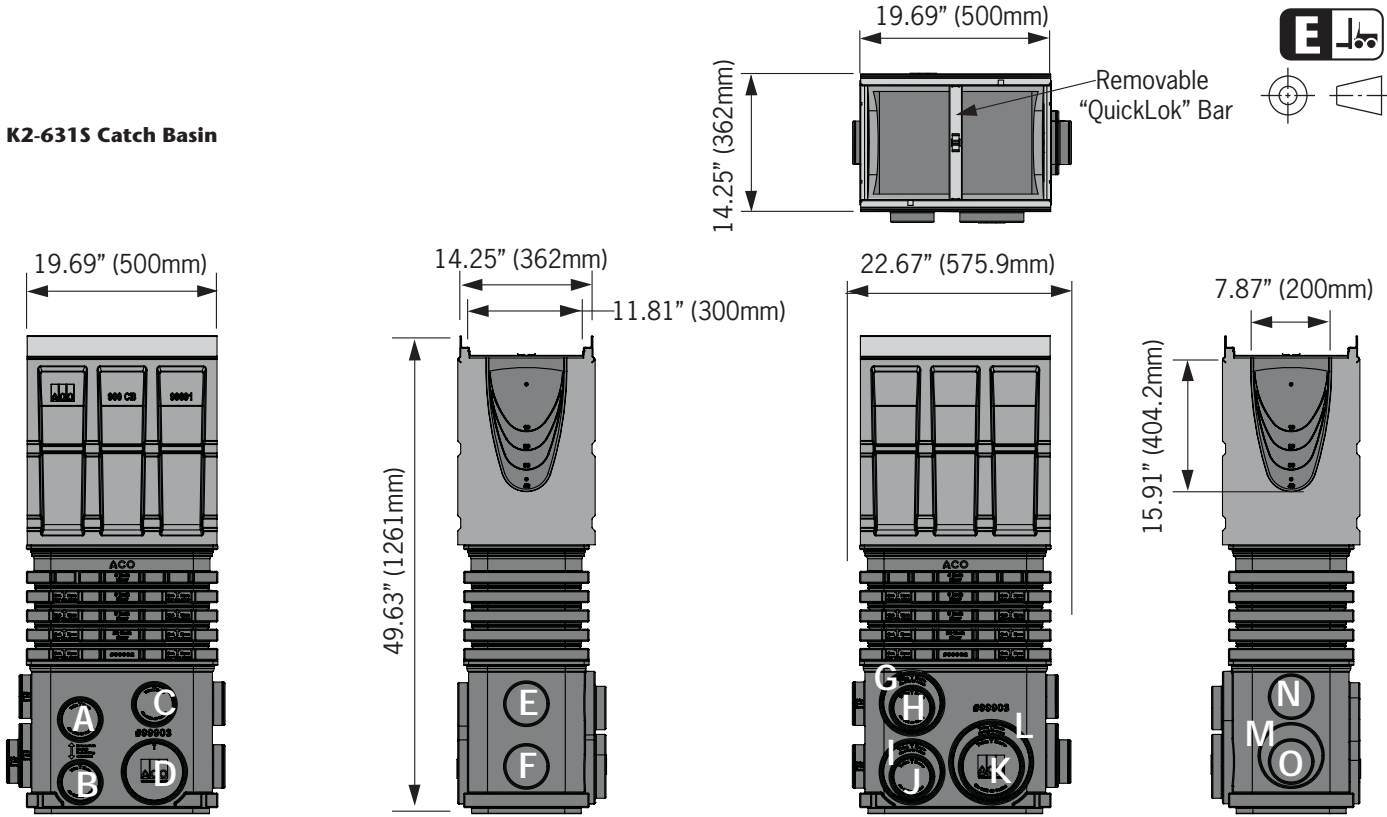


K2-631S Catch Basin

K2-631S Catch Basin



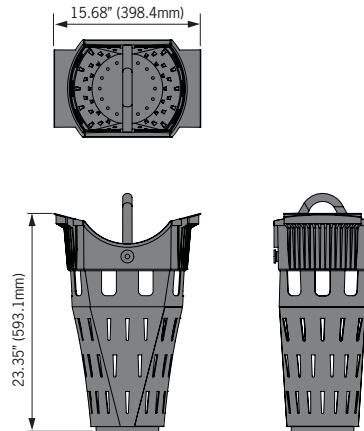
Outlet flow rates

Outlet	Product	Outlet size (Sch. 40)	Invert Depth	GPM	CFS
A	Type K2-631S	4" round	41.80"	343	0.77
B	Type K2-631S	4" round	48.29"	370	0.83
C	Type K2-631S	4" round	40.22"	337	0.75
D	Type K2-631S	6" round	48.29"	824	1.84
E	Type K2-631S	4" round	40.37"	337	0.75
F	Type K2-631S	4" round	46.87"	365	0.81
G	Type K2-631S	6" round	41.15"	757	1.69
H	Type K2-631S	4" round	40.59"	338	0.75
I	Type K2-631S	6" round	48.28"	824	1.84
J	Type K2-631S	4" round	47.72"	368	0.82
K	Type K2-631S	6" round	47.72"	819	1.83
L	Type K2-631S	8" round	48.28"	1449	3.23
M	Type K2-631S	6" round	46.78"	810	1.81
N	Type K2-631S	4" round	39.65"	334	0.74
O	Type K2-631S	4" round	46.36"	363	0.81

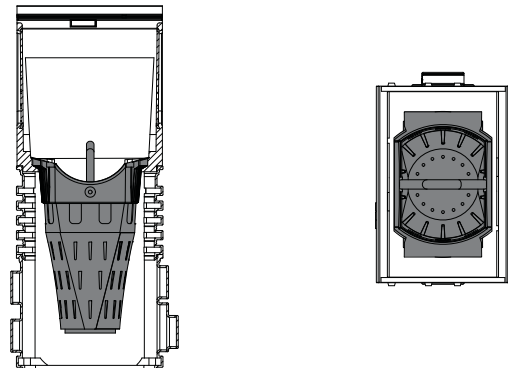
Note:

1. These are the pipe flow rates at the specified outlet, **NOT** channel flow rates.
*Flow rates without trash bucket - using trash bucket or filter bag reduces flow rates.
2. 4" diameter foul air trap, part# 90854, can be fitted to catch basin base at outlet positions A/B and E/F
3. Riser can be cut down in 1" increments.
4. Fits KlassikDrain K200 systems

Trash Bucket



Note: Openings in trash bucket are 74.4"² (48,028mm²)



Note: Trash bucket position within K2-631S catch basin body and base

ACO Specification Information

ACO DRAIN

K2-631S Catch Basin



ACO Specification Information

Description	Part No.	Invert Depth		Weight lbs.
		inches	mm	
Type K2-631S Catch basin assembly - top, removable "QuickLok" bar, riser, trash bucket & base	94634	37.40	950	101.0
Catch Basin Components				
Foul air trap - fits both Type 900 & Type 600 basins	90854	-	-	1.2
QuickLok grate removal tool	01318	-	-	0.3

Specifications			
General	The catch basin shall be ACO Drain K2-631S Catch Basin - comprising of top section, riser, trash bucket and base as manufactured by ACO Polymer Products, Inc. or similar approved.	Water absorption	0.07%
Materials	The top unit body shall be manufactured from polyester polymer concrete with minimum properties as follows:	Frost proof	YES
Compressive strength:	14,000 psi	Salt proof	YES
Flexural strength:	4,000 psi	Dilute acid and alkali resistant	YES
		The nominal clear opening shall be 14.25" (362mm) wide by 19.69" (500mm) long. Overall width of 22.67" (575.9mm) by 49.63" (1261mm) long. Type K2-631S catch basin assembly has overall depth of 49.63" (1261mm). Polymer concrete top units shall incorporate a cast in stainless steel frame manufactured with drillouts for channel connection and have a wall thickness of at least 0.59" (15mm). Top units shall have horizontal cast in anchoring key features on the outside to ensure maximum mechanical bond to the surrounding bedding material	
		and pavement surface. The base and riser unit shall be a LLDPE plastic molding and incorporate molded plastic pipe stubbs to facilitate pipe connection.	
		Grates	
		Grates shall be specified. See separate ACO Spec Info grate sheets for details. After removal of grates and 'QuickLok' bar there shall be uninterrupted access to the catch basin to aid maintenance.	
		Installation	
		The trench drain/catch basin system shall be installed in accordance with the manufacturer's installation instructions and recommendations.	

ACO Polymer Products, Inc.

Northeast Sales Office
 P.O. Box 245
 Chardon, OH 44024
 Tel: (440) 285-7000
 Toll free: (800) 543-4764
 Fax: (440) 285-7005

West Sales Office
 P.O. Box 12067
 Casa Grande, AZ 85130
 Tel: (520) 421-9988
 Toll Free: (888) 490-9552
 Fax: (520) 421-9899

Southeast Sales Office
 4211 Pleasant Road
 Fort Mill, SC 29708
 Toll free: (800) 543-4764
 Fax: (803) 802-1063



Electronic Contact:
 info@ACODrain.us
 www.ACODrain.us



© April 11, 2013 ACO Polymer Products, Inc. This information is believed to be accurate but it is not guaranteed to be so. We cannot assume liability for results that buyer obtains with our product since conditions of use are beyond the control of the company. It is the customer's responsibility to evaluate suitability and safety of product for his own use. ACO Polymer Products Inc. reserves the right to change the product and specifications without notice.